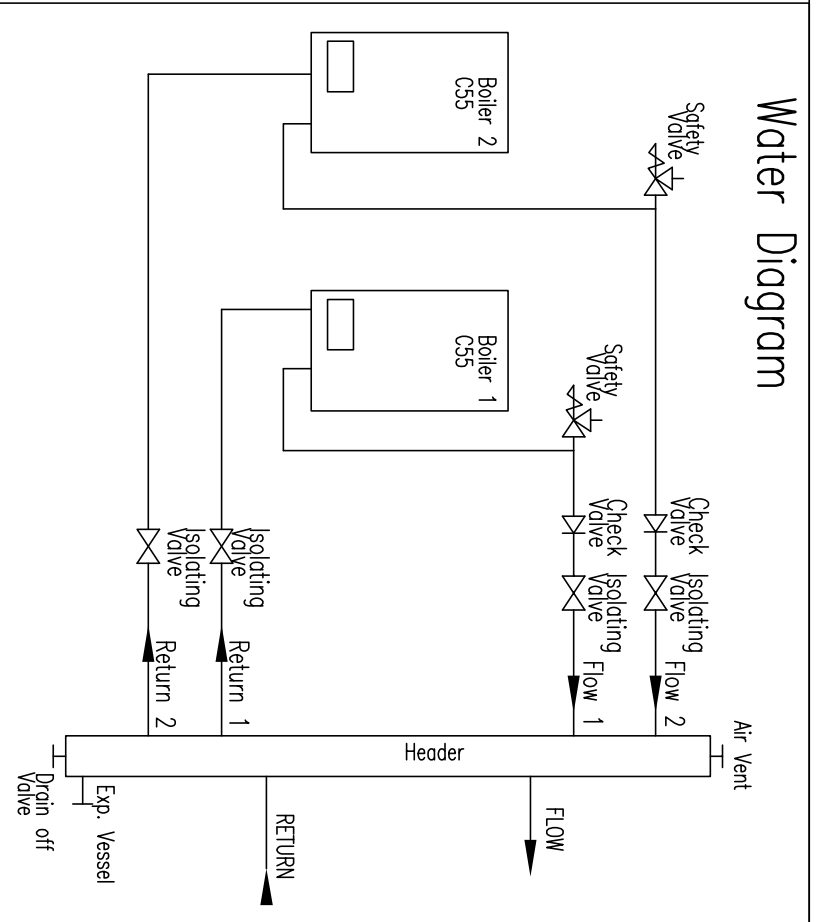


Water Diagram



**2 x C55
CH HEADER
BACK TO BACK**

ZMC55+RH HDR BACK TO BACK [2]

KESTON

ZMC55 L

Date: 22.02.2005

2 x C55 FLOOR RIG